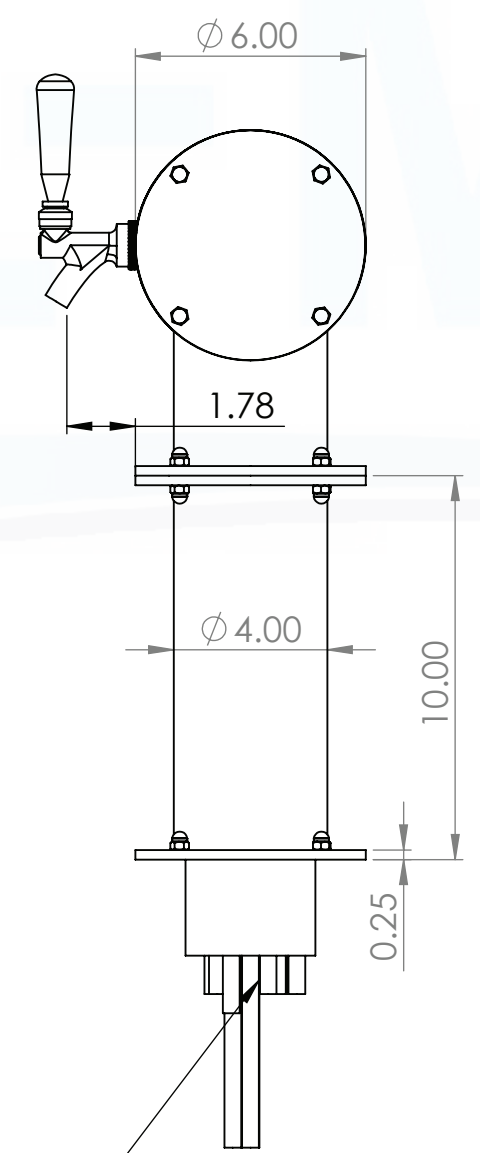
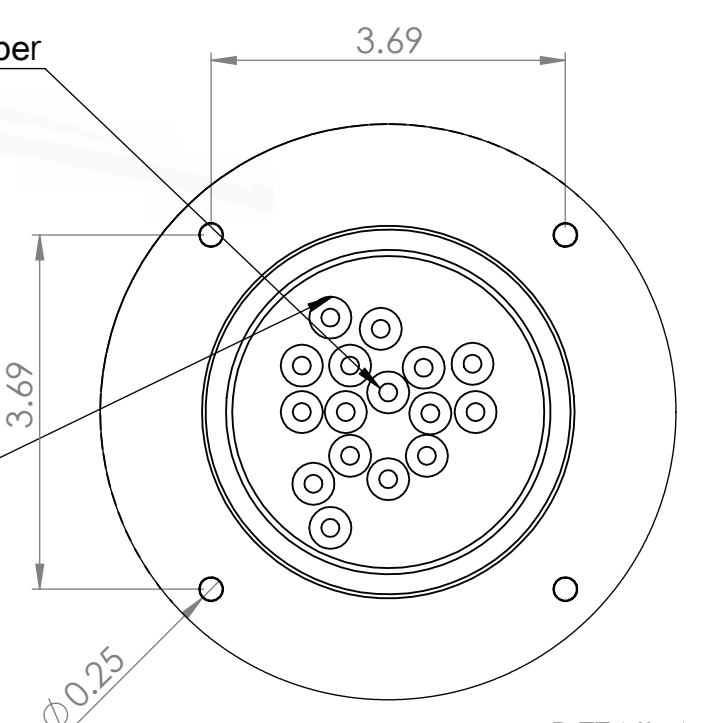


Isometric View  
(For reference purpose only)



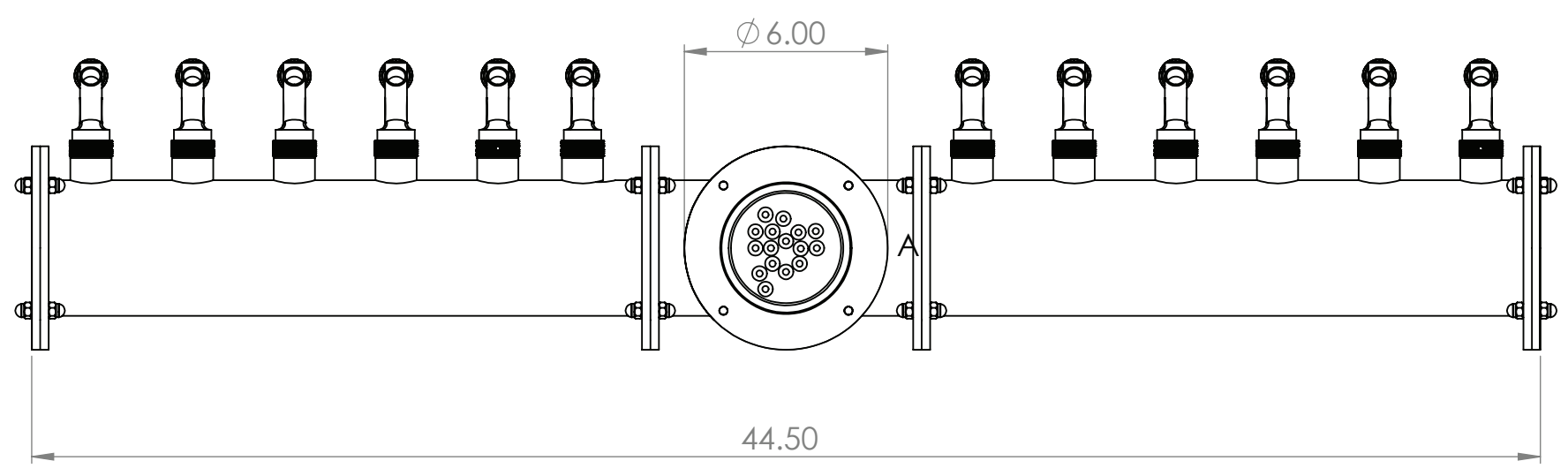
4 recirculation lines: 3/8" OD ACR copper

12 beer lines: 3/16" ID x 7/16" OD



DETAIL A  
SCALE 1 : 2

304SS tube connected to CBS NSF Flexible Total Barrier Tubing to 15lbs of Restriction



Suggested Drip Tray:  
BB701351 - 51" x 7" PSS Drip Tray  
BB702451 - 51" x 7" PSS Spray Drip Tray



Name		Date		Title	
Drawn By:	Chillmax Beverages Solutions, LLC	11/22/2024		12T(3"OC) MATTE BLACK CONDOR "T" CH-MX CLD	
Approved By:	Production Manager				
Material:	304 SS	Finish:	MATTE BLACK	Part Number:	BB101810-MB-12GC
Unless otherwise mentioned, dimensions are inches.				Revision:	
				Scale:	1:5